



new member of the SM1500 - family

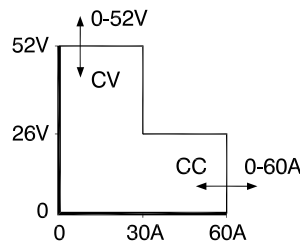
SM52-AR-60

1500 watt AUTORANGING DC POWER SUPPLY

Flexible source for Automotive applications

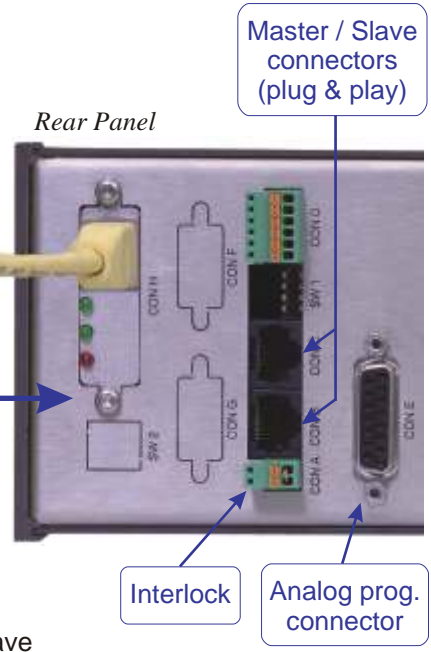


0 - 26 V 0 - 60 A
0 - 52 V 0 - 30 A



- Excellent dynamic response on load changes
 Voltage recovery after load step: within 100 μ s,
 max. deviation 200 mV
- Long term stability $6 \cdot 10^{-5}$ (CV)
- EMC: high immunity (Industrial) and
 very low emission (Residential, EN55022B)
- Very low output ripple: 2 mV rms, 15 mV p-p
- Active Power Factor Correction, PF=0.99
- Wide input voltage range:
 90 - 265 VAC, 48-62 Hz
- Designed for long life at full power
- Weight only 9.9 kg

- Ethernet cable** →
- Interface options:**
- * Ethernet
 - * IEEE488
 - * RS232
 - * Isolated Analog



- Easy Master / Slave
- Output On/Off button

